



HEATIT Z-TRM3 BLACK RAL 9011

Z-Wave thermostat 3600W 16A 868,4 MHz

Art.no 5430598

GTIN 7071236016045

Heatit Z-TRM3 is an electronic thermostat for electrical underfloor heating. The thermostat has a built-in Z-Wave chip that can be connected to control systems.

The thermostat fits in standard European wall boxes and can be used with most frames that are adapted to System 55. The thermostat has a built-in sensor and may be connected to two external sensors.

Heatit Z-TRM3 has active power metering and it gives you real time information about your power consumption.

The thermostat enables you to make associations with external relays and wall plugs.

Designed for electrical heating.

PRODUCT FEATURES

- Z-Wave thermostat
- Floor sensor
- Internal room sensor
- External room sensor (wired by cable)
- Temperature limiter
- SmartStart
- Weekly schedule
- Temperature readout in gateway
- Firmware update (OTA)
- Active power metering
- Relay status LED
- Single pole switch
- Lock mode/child lock
- Temperature calibration
- 5 associations
- Supports encryption modes S0, S2 Authenticated Class, S2 Unauthenticated Class

THERMOSTAT DATA

Compatible NTC-sensors (kΩ @ 25°C)	10, 12, 15, 22, 33, 47
Error margin temperature	0,5°C
Temperature sensitivity	Temperature sensitivity ±0,5
Hysteresis	0,3 to 3,0 (default hysteresis 0,5)
Ohm value at 25°C	10kΩ
Regulation temperature	5 til 40°C

IOT / SMART HOME SPECIFIC DATA

Z-Wave Frequency	Z-Wave - 868.4 MHz (EU)
Z-Wave Chip	Z-Wave 500 chip
Alternate IoT-communication procols	No alternative communication protocols
Min radio frequency range	40m
Over The Air update (OTA)	Yes
Push buttons	3
Z-Wave encryption mode	S2 Authenticated Class S0 S2 Unauthenticated Class
Primary IoT Protocol	Z-Wave

ELECTRO TECHNICAL DATA

Voltage	230VAC 50Hz
Max load (resistive load)	3600W
Max current	16A
Own power usage	2W
Switch type	One-pole switch
Connection type	Screw clamps
Connection terminals diameter	0.2 til 2.5mm ²
Max tightening torque connections	2N·m



MAINTENANCE

The device is maintenance-free. Indoor use only.

ADDITIONAL INFORMATION

Approved for use in bathrooms.

The product must be used with a security-enabled Z-Wave Controller in order to fully utilize security/encryption.

PRODUCT INFO RETURN AND RECYCLING

The product must be recycled as electronic waste.

STANDARDS

EN Standards	EN 60730-1 LVD 2014/35/EU RoHS 2011/65/EU Z-Wave Plus EMC 2014/30/EU EN 60730-2-9 CE	Certification	Reach RoHS
IP Class	IP21		

WARRANTY

Warranty Norway	5 years	Warranty international	2 years
-----------------	---------	------------------------	---------

LOGISTICAL DATA (F-PACK)

Width	114mm	Height/diameter	78mm
Length	125mm	Weight	240g
GTIN	7071236016045	Unit	BOX
Consists of unit	EA	Quantity	1

LOGISTICAL DATA (M-PACK)

Width	575mm	Height/diameter	150mm
Length	400mm	Weight	6300g
GTIN	-	Unit	CARTON
Consists of unit	BOX	Quantity	25



DISCLAIMER

The device can withstand a load of max 16A/3600W at 230VAC. We recommend a contactor for loads above 13A.

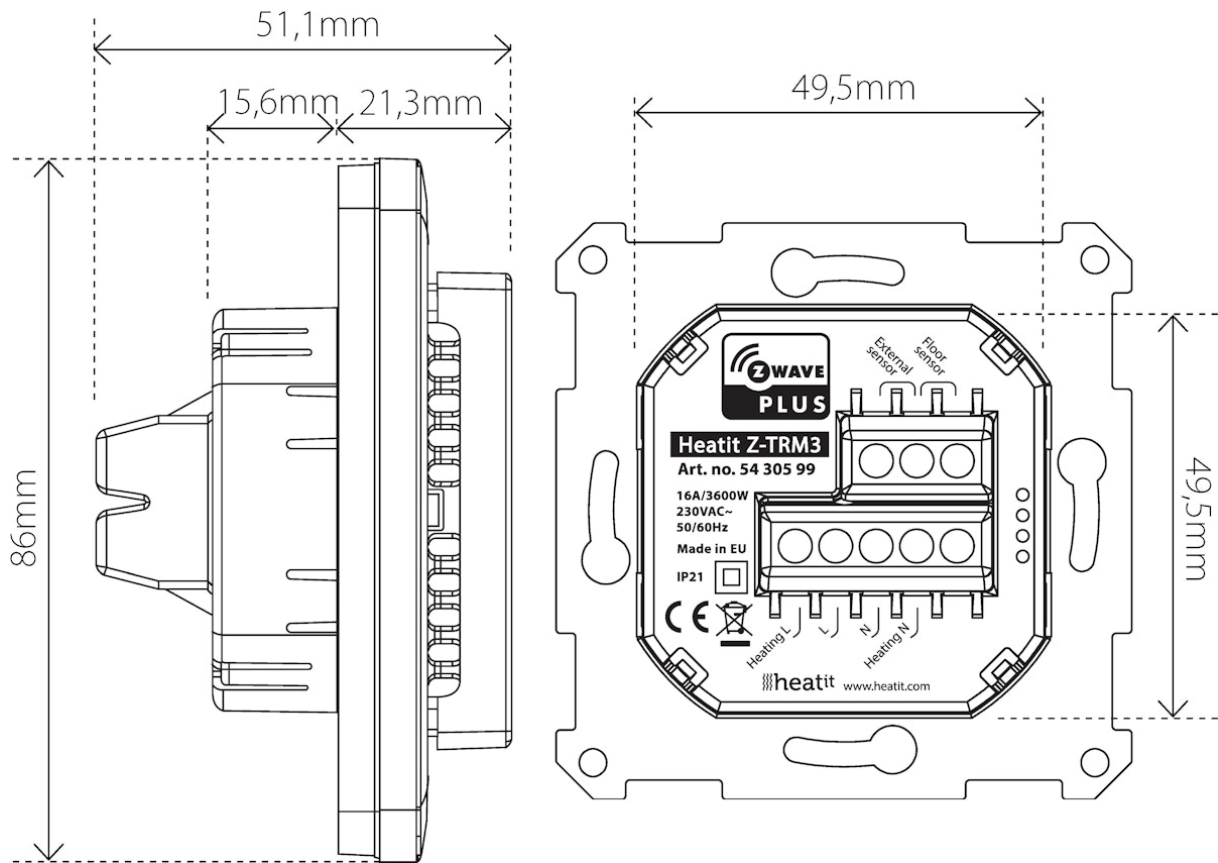
We develop and design our products according in accordance with our strict quality requirements (ISO 9001) and environmental requirements (ISO 14001).

All electrical installations must be carried out by an authorized electrical installer. The product must be installed in accordance with our installers manual and national building codes. Any wrongful installation, misuse, damage of the product, is not covered under warranty.

Updated documentation is available at www.heatit.com and/or documents.heatit.com

Heatit Controls AB can not be held liable for any type of errors or omissions in our product information.

Product specifications may change without further notice.



**Heatit Z-TRM3 Black RAL 9011 can be ordered from
www.heatit.com/5430598**

All additional documentation are available on the above adress and on documents.heatit.com/5430598

