



HEATIT WIFI BLACK MATT

WiFi thermostat 3600W

Art.no 5430588

GTIN 7071236017431

Heatit WiFi is an electronic thermostat for electrical underfloor heating. The thermostat has a simple user interface and can be easily programmed via the capacitive buttons. The thermostat has an easy user interface.

The thermostat fits in standard European wall boxes and can be used with most frames that are adapted to System 55. The thermostat has a built-in sensor and may be connected to two external sensors.

The thermostat has a built-in WiFi that allows you to control it from a user-friendly app. The "Heatit WiFi" app is available on Google Play and in the App Store. Works with Amazon Alexa and Google Home. If you are installing multiple thermostats in the same house, you may copy the settings from one thermostat to the next. This simplifies the installation.

PRODUCT FEATURES

- WiFi thermostat
- Floor sensor with option for external sensor
- Internal room sensor
- Power regulator
- Adaptive regulation
- Temperature limiter
- Weekly schedule
- Home/Away/Anti-frost
- Intuitive app - easy to use
- Control via app
- Alarm/notifications in app
- Firmware update (OTA)
- Energy calculator
- Single pole switch
- Lock mode/Child lock
- Temperature calibration
- Amazon Cloud
- Norwegian/Svensk/English/Finnish/Dutch language

THERMOSTAT DATA

Compatible NTC-sensors (kΩ @ 25°C)	6,8, 10, 12, 15, 22, 33, 47, 100
Power regulator	Timed cycle 0-30 minutes
Error margin temperature	0,5°C
Temperature sensitivity	Temperature sensitivity ±0,5
Hysteresis	0,2 to 2 (std. hysteresis 0,5)
Ohm value at 25°C	10kΩ
Regulation temperature	5 til 40°C

IOT / SMART HOME SPECIFIC DATA

Alternate IoT-communication protocols	WiFi (802.11 b/g/n) 2,4GHz
Min radio frequency range	30m
Over The Air update (OTA)	Yes
Primary IoT Protocol	WiFi

ELECTRO TECHNICAL DATA

Voltage	230VAC 50Hz
Max load (resistive load)	3600W
Max current	16A
Own power usage	2W
Switch type	One-pole switch
Connection type	Push-in clamps
Connection terminals diameter	0.2 til 2.5mm ²



MAINTENANCE

The device is maintenance-free, but must never be covered.

ADDITIONAL INFORMATION

Approved for use in bathrooms.

PRODUCT INFO RETURN AND RECYCLING

The product must be recycled as electronic waste.

STANDARDS

EN Standards	EN 60730-2-9 ETSI EN 300 328 V2.2.2, CE EN 60730-1:2016	Certification	RoHS Reach
IP Class	IP21		

WARRANTY

Warranty Norway	5 years	Warranty international	2 years
-----------------	---------	------------------------	---------

LOGISTICAL DATA (F-PACK)

Width	114mm	Height/diameter	75mm
Length	118mm	Weight	235g
GTIN	7071236017431	Unit	BOX
Consists of unit	EA	Quantity	1

LOGISTICAL DATA (M-PACK)

Width	575mm	Height/diameter	130mm
Length	400mm	Weight	6300g
GTIN	-	Unit	CARTON
Consists of unit	BOX	Quantity	25



DISCLAIMER

The device can withstand a load of max 16A/3600W at 230VAC. We recommend a contactor for loads above 13A.

When connecting low loads it is recommended to use a bypass.

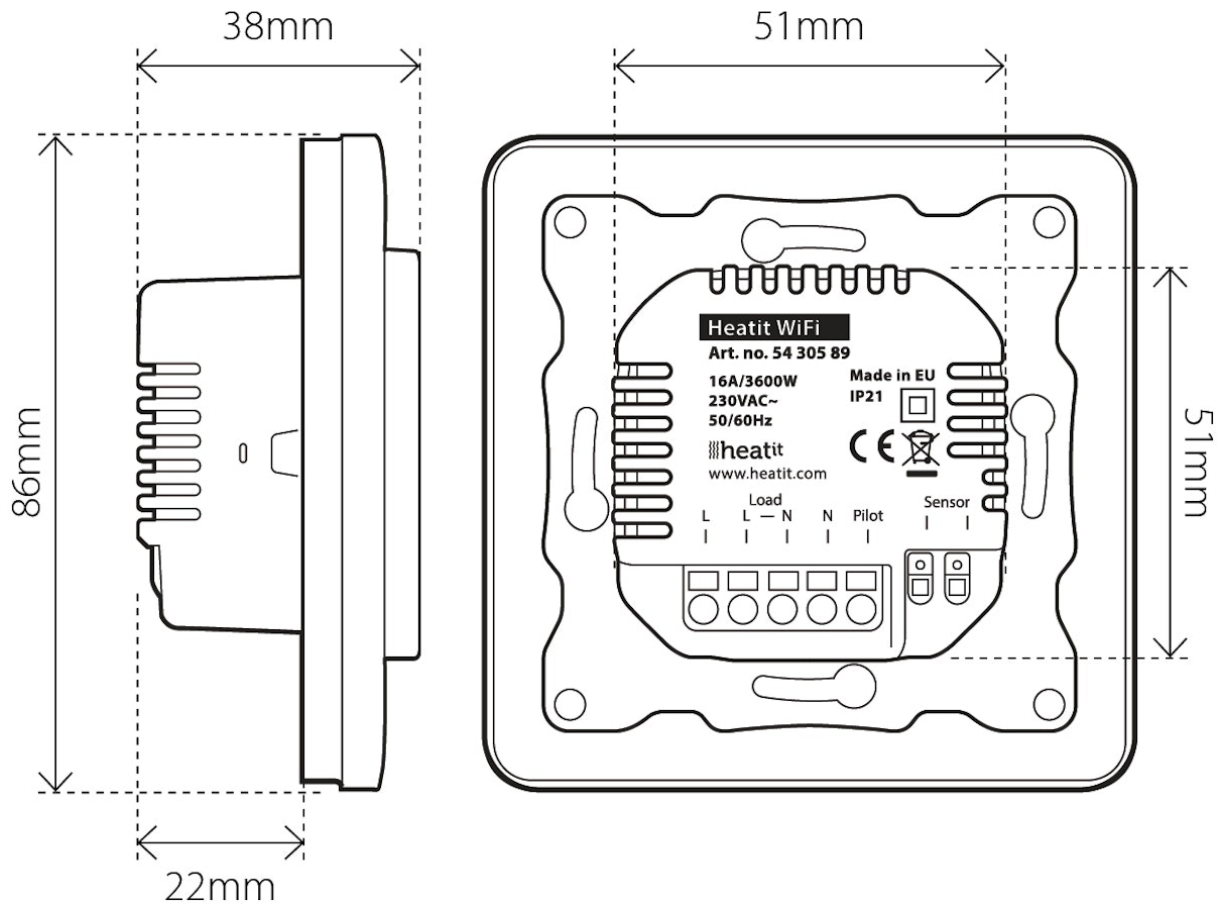
We develop and design our products according in accordance with our strict quality requirements (ISO 9001) and environmental requirements (ISO 14001).

All electrical installations must be carried out by an authorized electrical installer. The product must be installed in accordance with our installers manual and national building codes. Any wrongful installation, misuse, damage of the product, is not covered under warranty.

Updated documentation is available at www.heatit.com and/or documents.heatit.com

Heatit Controls AB can not be held liable for any type of errors or omissions in our product information.

Product specifications may change without further notice.



Heatit WiFi Black matt can be ordered from www.heatit.com/5430588

All additional documentation are available on the above adress and on documents.heatit.com/5430588

