



MULTIREG LCD3 WHITE RAL9010

Thermostat 4 functions 3600W 16A

Art.no 5430574

GTIN 7071236016816

Multireg LCD3 is an electronic thermostat designed for electric underfloor heating. The thermostat fits in standard European junction boxes and may be used with most System 55 frames. Multireg LCD3 has the option of a weekly program. It has an internal sensor and can be connected to two external sensors.

Multireg LCD3 also has two modes for outdoor use. When using two sensors, it is possible to limit the ground temperature additionally. Multireg LCD3 is designed to melt snow and ice on the ground, stairs, and smaller outdoor areas. The thermostat operates within a specific temperature range.

PRODUCT FEATURES

- 7 segment LED display
- Floor sensor
- Internal room sensor
- External room sensor (wired by cable)
- Temperature limiter
- +/- thermostat with sensor
- Weekly schedule
- Clock function
- Setback via pilot wire
- Single pole switch
- Lock mode/child lock
- Backlight
- Temperature calibration

THERMOSTAT DATA

Compatible NTC-sensors (k Ω @ 25°C)	6.8, 10, 12, 15, 22, 33, 47, 100
Error margin temperature	0,5°C
Temperature sensitivity	Temperature sensitivity \pm 0,5
Hysteresis	0,3 to 3,0 (default hysteresis 0,5)
Ohm value at 25°C	10k Ω
Regulation temperature	-20 til 40°C

ELECTRO TECHNICAL DATA

Voltage	230VAC 50Hz
Max load (resistive load)	3600W
Max current	16A
Own power usage	1.5W
Switch type	One-pole switch
Ambient temperature range in use	5 til 40°C
Min. and max ambient humidity (RH%)	10 til 85%
Connection type	Screw clamps
Connection terminals diameter	0.2 til 2.5mm ²
Max tightening torque connections	2N·m
IP-Class	IP21



MAINTENANCE

The device is maintenance-free. Indoor use only.

ADDITIONAL INFORMATION

Approved for use in bathrooms.

PRODUCT INFO RETURN AND RECYCLING

The product must be recycled as electronic waste.

LOGISTICS AND PRODUCT DATA

Colour	White RAL 9010	Customs number	90321000
--------	----------------	----------------	----------

STANDARDS

Certification	CE
---------------	----

WARRANTY

Warranty	2 years
----------	---------

INSTALLATION AND STORAGE DATA

Ambient temperature range in storage	-30 til 70°C	Max installation temperature	40°C
Min installation temperature	-20°C	Mounting method	European Junction Box

LOGISTICAL DATA (F-PACK)

Width	118mm	Height/diameter	75mm
Length	114mm	Weight	228g
GTIN	7071236016816	Unit	BOX
Consists of unit	EA	Quantity	1

LOGISTICAL DATA (M-PACK)

Width	400mm	Height/diameter	130mm
Length	575mm	Weight	6000g
GTIN	27071236016810	Unit	CARTON
Consists of unit	EA	Quantity	25



DISCLAIMER

All electrical installations must be carried out by an authorized electrical installer.

The product must be installed in accordance with our installers manual and national building codes. Any wrongful installation, misuse, damage of the product, is not covered under warranty.

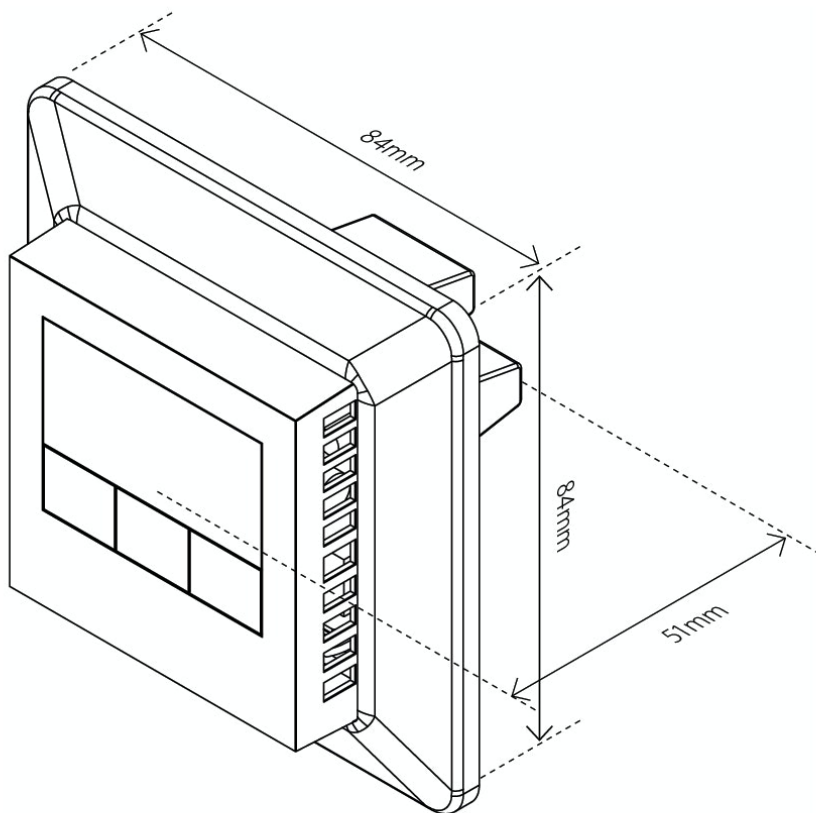
Updated documentation is available at www.thermo-floor.no/www.heatit.com og/eller documents.thermo-floor.no/documents.heatit.com

Thermo-Floor AS/Heatit Controls AB can not be held liable for any type of errors or omissions in our product information.

Product specifications may change without further notice.

The device can withstand a load of max. 16A/3600W at 230VAC. We recommend a contactor for loads above 13A.

Supplied with a floor sensor (Art.no 54 301 07).



**Multireg LCD3 White RAL9010 can be ordered from
www.thermo-floor.no/5430574**

All additional documentation are available on the above adress and on documents.thermo-floor.no/5430574

