



MULTIREG6 WHITE RAL 9003

Thermostat 3600W 16A

Art.no	5430534
GTIN	7071236018049

Multifunctional thermostat. Multireg6 is an electronic thermostat designed for electrical heating and water based heating control. The thermostat has a user friendly interface that can be controlled via the buttons on the front of the thermostat.

Multireg6 has 3 modes: Heat - Cool and Eco.

The thermostat fits in standard European junction boxes and may be used with most System 55 frames. It has a sturdy metal frame for secure fastening in the junction box. The thermostat has one built-in room temperature sensor. Two additional external temperature sensors may also be connected.

The device is equipped with ZeroX™ technology, which ensures the relay switches at 0V when turning on and off. This technology significantly extends the thermostat's lifespan.

Multireg6 has active power metering, which allows you to see the total accumulated energy consumption in kWh.

The thermostat can withstand a resistive load of up to 16A/3600W at 230VAC. For loads above 13A, we recommend using a contactor. The thermostat is designed for resistive loads. When using large resistive, capacitive, or inductive loads, a contactor should be used.

PRODUCT FEATURES

- Internal room sensor
- Floor sensor
- Power regulator
- Temperature limiter
- 3 modes: Heat - Cool - Eco
- Hysteresis/PWM
- Temperature calibration
- External room sensor (wired by cable)
- Open window detection
- ZeroX™ Detection
- Relay status icon
- Adjustable display brightness
- Single poled switch
- Lock mode/child lock
- Active power metering

PRODUCT DATA

Colour	White RAL 9003
Material	Polycarbonate (PC)
Mounting	European Junction Box
Min. and max ambient humidity (RH%)	10 to 85%
Ambient temperature range in use	5 to 40°C
Ambient temperature range in storage	-30 to 70°C
Min/max installation temperature	5 to 40°C

THERMOSTAT DATA

Compatible NTC-sensors (kΩ @ 25°C)	6.8, 10, 12, 15, 22, 33, 47, 100
Power regulator	Timed cycle 0-30 minutes
Error margin temperature	0,5
Temperature sensitivity	±0,5
Hysteresis	0,3 to 3,0 (default hysteresis 0,5)
Ohm value at 25°C	10kΩ
Max length of NTC sensor	50m
Regulation temperature	5 to 40°C

STANDARDS

Certification	Reach, RoHS
EN Standards	CE, Nemko
IP Code	IP21

WARRANTY

Warranty international	2 years
------------------------	---------

IOT / SMART HOME SPECIFIC DATA

Alternate IoT-communication protocols	No alternative communication protocols
Push buttons	3
Temperature measurement range	5 to 40°C

ELECTRO TECHNICAL DATA

Voltage	230VAC 50Hz
Max load (resistive load)	3600W
Own power usage	1W
Switch type	One-pole switch
Max load (resistive load)	16A
Connection type	Screw clamps
Connection terminals diameter	0.2 to 2.5mm ²
Max tightening torque connections	2N·m
Voltage Output	230VAC 50Hz



PRODUCT DIMENSIONS

Product height/diameter	45.5mm	Product Width	84mm
Product length	84mm	Product net weight	126g

MAINTENANCE

The device is maintenance-free. Indoor use only.

ADDITIONAL INFORMATION

Approved for use in bathrooms.

ZeroX™ Detection is pronounced Zero Cross Detection.

PRODUCT INFO RETURN AND RECYCLING

The product must be recycled as electronic waste.

DISCLAIMER

The thermostat can withstand a resistive load of up to 16A/3600W at 230VAC. For loads above 13A, we recommend using a contactor.

Never change the front from one thermostat to another.

General info;

Worth noting regarding correct installation of thermostats.

When two or more thermostats are mounted too close to each other, the heat they emit, can interfere with the temperature sensors and the temperature in the junction box becomes too high. This can cause inaccurate temperature readings, especially under high load, leading to incorrect heating control. To avoid such issues, thermostats should be installed as far apart as possible and always in separate junction boxes. This ensures more accurate temperature readings.

In multi-frames with multiple units, the thermostat should always be mounted at the bottom, and no more than one thermostat should ever be installed in a multi-frame.

All electrical installations must be carried out by an authorized electrical installer.

The product must be installed in accordance with our installers manual and national building codes. Any wrongful installation, misuse, damage of the product, is not covered under warranty.

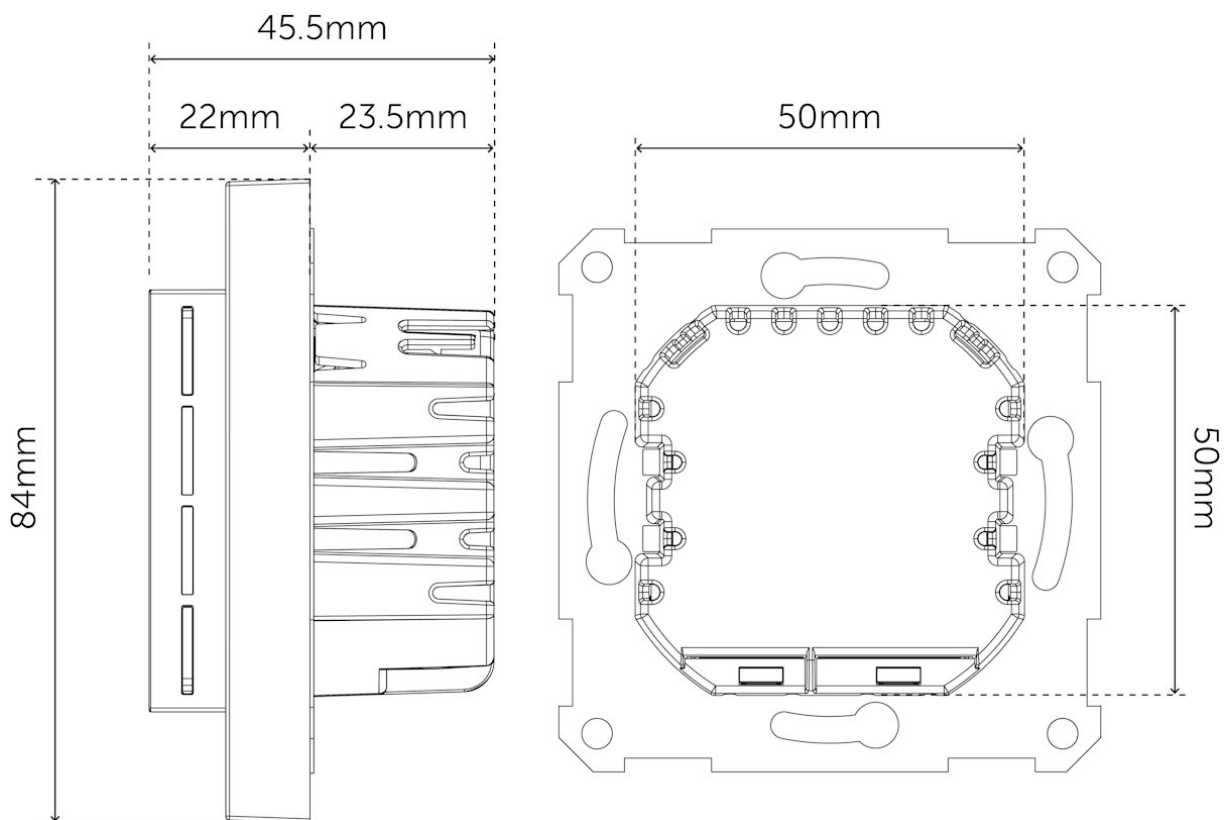
Updated documentation is available at www.thermo-floor.no/www.heatit.com og/eller documents.thermo-floor.no/documents.heatit.com
Thermo-Floor AS/Heatit Controls AB can not be held liable for any type of errors or omissions in our product information.

Product specifications may change without further notice.



MULTIREG6 THERMOSTAT

DIMENSIONS



Multireg6 White RAL 9003 can be ordered from
www.thermo-floor.no/5430534

All additional documentation are available on the above adress and on documents.thermo-floor.no/5430534

