



HEATIT Z-WATER2

Z-Wave Regulator 868.4 MHz

Art.no 4512495

GTIN 7071236016458

Heatit Z-Water2 is a DIN-rail regulator for controlling waterbased heating systems. The module clips right onto a DIN-rail and allows you to control your waterbased heating through your Z-Wave network. Heatit Z-Water2 is equipped with 9 potential free relays for actuators. It also has 2 analog inputs for temperature sensors.

The Heatit Z-Water2 relays may be controlled by associations with other Z-Wave thermostats e.g Heatit. Each relay can control one or several actuators in your heating system.

PRODUCT FEATURES

- Z-Wave
- Regulator for waterbased heating systems
- 9 potential free relays
- Valve exercise
- Can control 230VAC actuators and 24V actuators from an external power supply
- Can be used with Heatit thermostats in each heating zone
- DIN-rail mounting
- Connector for external antenna
- SmartStart
- Firmware update (OTA)
- Supports encryption mode S0, S2 Authenticated Class, S2 Unauthenticated Class

IOT / SMART HOME SPECIFIC DATA

Z-Wave Frequency	Z-Wave - 868.4 MHz (EU)
Z-Wave Chip	Z-Wave 800 chip
Min radio frequency range	40
Over The Air update (OTA)	Yes
Z-Wave encryption mode	S0 S2 Unauthenticated Class S2 Authenticated Class

ELECTRO TECHNICAL DATA

Voltage	230VAC 50Hz
Max current	5A
Own power usage	0.4W
Connection type	Screw clamps
Connection terminals diameter	0.2 til 2.5mm ²
Max tightening torque connections	2N·m



MAINTENANCE

The device is maintenance-free. Indoor use only.

ADDITIONAL INFORMATION

The product must be used with a security-enabled Z-Wave Controller in order to fully utilize security/encryption.

Max load: 5A
 Max load per relay: 1385VA/150W
 Max relay current: 250VAC

Heatit Z-Water2 is incompatible with Heatit Z-Wave Gateway.

Accessories: Heatit DIN Trafo 24V, Art. no. 54 304 57

PRODUCT INFO RETURN AND RECYCLING

The product must be recycled as electronic waste.

LOGISTICS AND PRODUCT DATA

Colour	Black Olive RAL 6015 Grey	Customs number	90321000
Min. and max ambient humidity (RH%)	10 til 85%	Ambient temperature range in use	5 til 40°C

STANDARDS

Certification	Z-Wave Plus CE	IP-Class	IP20
---------------	-------------------	----------	------

WARRANTY

Warranty	2 years
----------	---------

LOGISTICAL DATA (F-PACK)

Width	86mm	Height/diameter	58mm
Length	105mm	Weight	186g
GTIN	7071236016458	Unit	EA
Consists of unit	EA	Quantity	1



DISCLAIMER

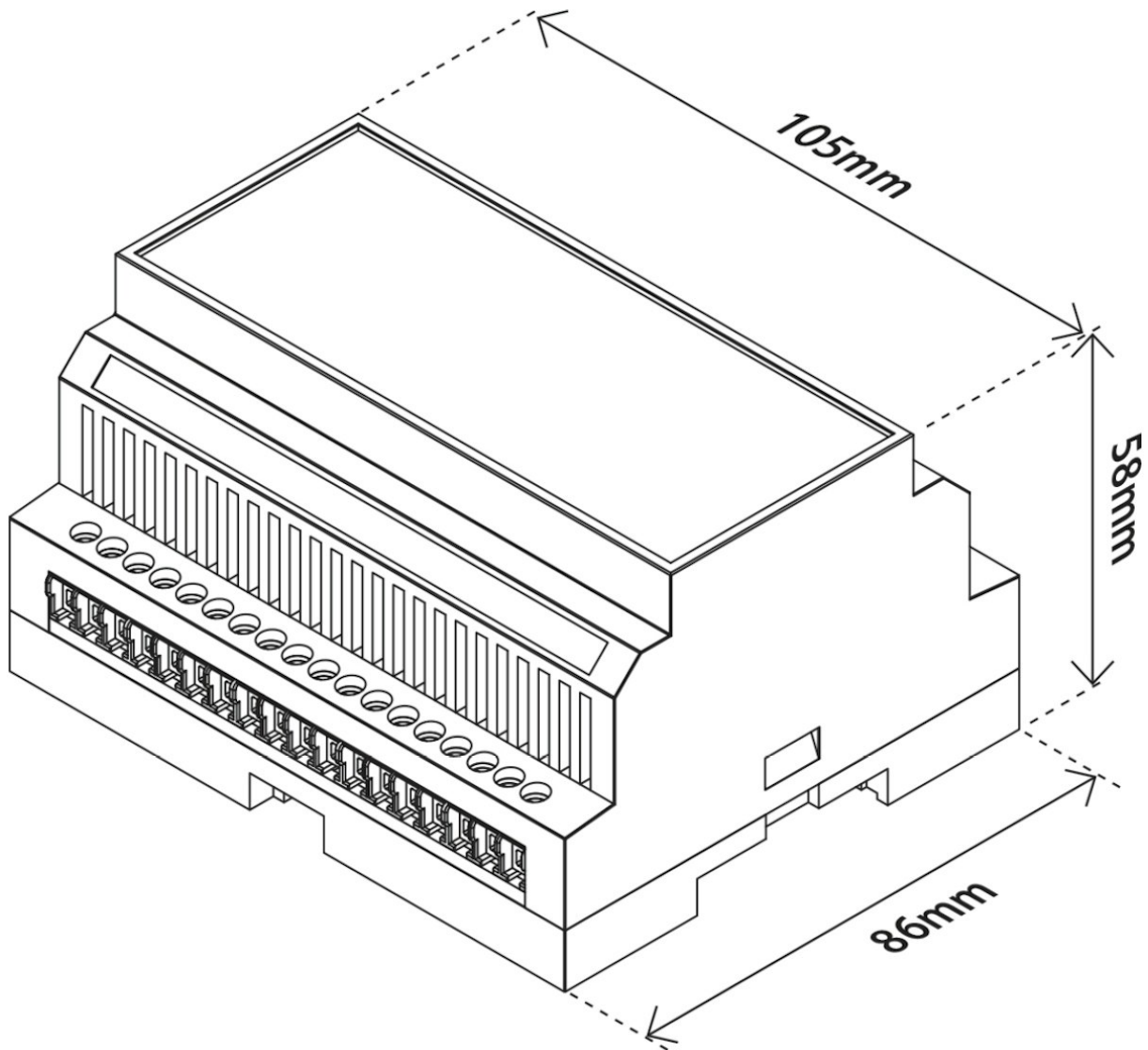
We develop and design our products according in accordance with our strict quality requirements (ISO 9001) and environmental requirements (ISO 14001).

All electrical installations must be carried out by an authorized electrical installer. The product must be installed in accordance with our installers manual and national building codes. Any wrongful installation, misuse, damage of the product, is not covered under warranty.

Updated documentation is available at www.heatit.com and/or documents.heatit.com

Heatit Controls AB can not be held liable for any type of errors or omissions in our product information.

Product specifications may change without further notice.



Heatit Z-Water2 can be ordered from www.heatit.com/4512495

All additional documentation are available on the above adress and on documents.heatit.com/4512495

